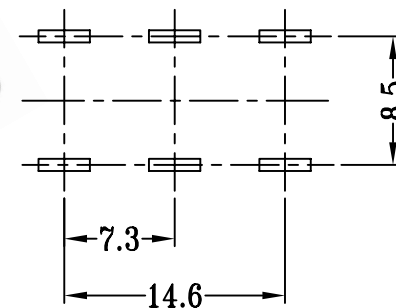
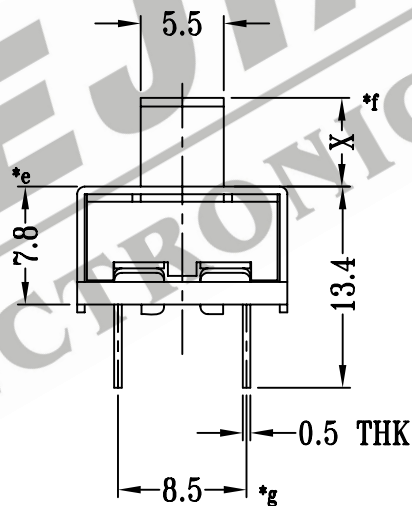
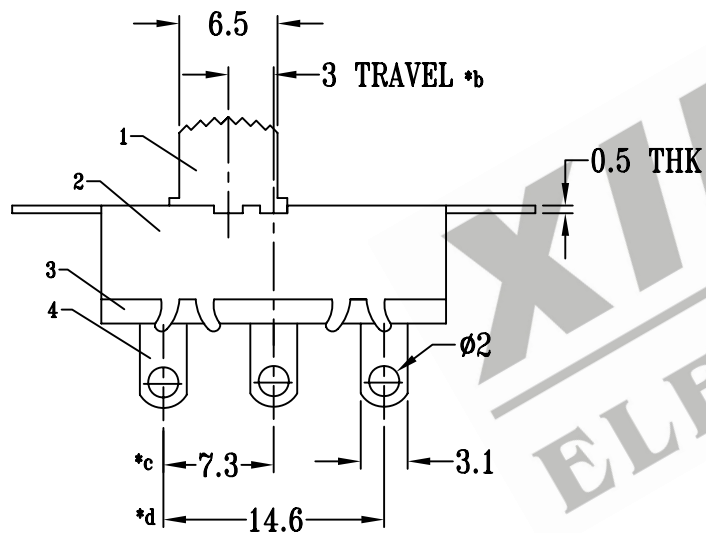
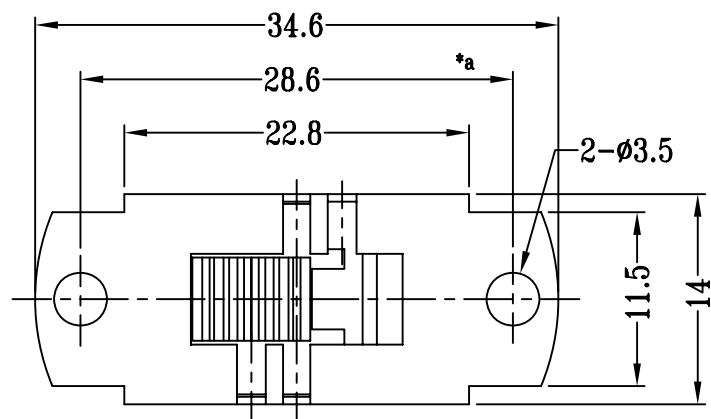


CAD FILE:



P.C.B LAYOUT

SCHEMATIC (NON SHORTING)

注:带*表示关键尺寸(7个)

				TOLERANCE UNLESS SPECIFIED		SHENZHEN XIEJIA ELECTRONICS CO.,LTD.				
8										
7	SPRING PLATE	PBS STRIP	1	NATURAL	WITHIN: 1.5±0.1mm	ISSUE	DATE	DESCRIPTIONS OF REVISION	APPD.	
6	SPRING PLATE	PBS STRIP	2	NATURAL	OVER : 1.5±0.2mm					
5	CONTACT CLIP	COPPER STRIP	2	Ag PLATED	TITLE : VERTICAL SLIDE SWITCH					
4	TERMINAL	COPPER STRIP	6	Ag PLATED OVER Ni PLATED						
3	BASE	PHENOLIC RESIN	1	BLACK	MODEL: SS-23F54		UNIT : mm	DRWG NO.: XJ-DR-SS23F54-00		
2	FRAME	STEEL STRIP	1	Zn PLATED	ALL MATERIALS MUST BE COMPLIANT TO ROHS		SCALE: 2:1	DWN.	ZHOUYU	2006-7-17
1	KNOB	PC	1	BLACK			CHK'D	FANGYING	2006-7-17	
NO.	PARTS	MATERIALS	Q'TY	FINISH			APPD.	KANGXINAN	2006-7-17	